



desk 36.

Eco-Friendly Lighting :

Sustainable hardwood, ecologically made desk lamp incorporating an ultra-bright & highly efficient 36 LED cluster light head.

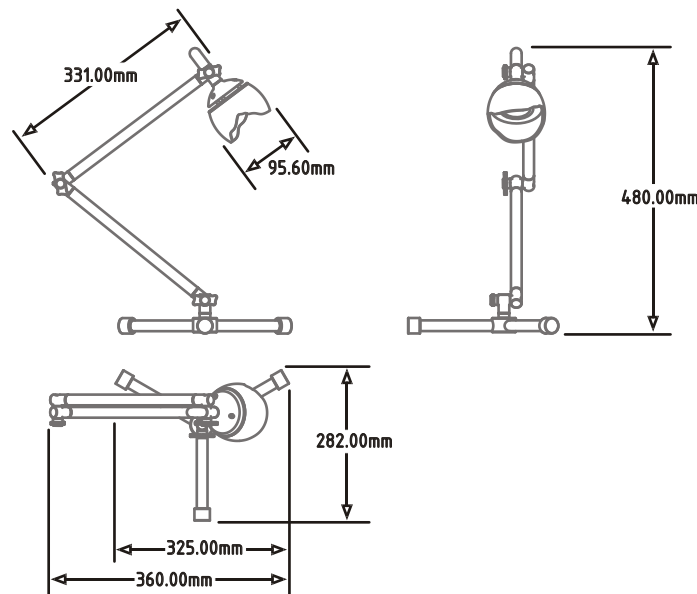
ECO-DESK 36 FEATURES :

- * Touch sensitive power & dimming control.
- * Ultra-bright & highly efficient 36 LED cluster and incorporated driver.
- * 'Cool' or 'Warm' white LED cluster options.
- * Precision machined and turned, black or silver anodised aluminium fittings.
- * Sustainable and ecologically sourced black walnut frame and shade.
- * 12VDC compact mains transformer.
- * Low power consumption.
- * Maintenance free 100,000 hour LED runtime.
- * Made in England following stringent environmental policies.



INDOOR

ECO-DESK 36 DIMENSIONS :



ECO-DESK 36 SPECIFICATIONS :

OPTICAL :

Illumination Type : 36 x 10,000mcd 'cool' white or 36 x 6500mcd 'warm' white LED cluster.
Luminous Ratings : 1000lux @ 0.5m ('cool' white), 1200 lux @ 0.5m ('warm' white). Approximate values

ELECTRICAL :

Power source : 230VAC to 12VDC, 500mA mains compact 'plug-in' power adapter (supplied)
Power consumption : 4.2W
Control : Touch sensitive switch point controls on/off & dimming.
Cable : Resistant polyurethane. Length : 5m.
Switch rating : Contact free touch capacitance switch.

MECHANICAL :

Material : Sustainably sourced black walnut (main stand and shade), 6063 Aluminium (end fittings & knobs).
Finish : Natural beeswax (wood), anodised aluminium to AA25.
Weight : 0.66Kg.
Environment / IP Rating : Indoor / -

OPTIONS :

- * Desk stand (shown) or optional bench clamp.
- * ECO lamps can also be made in a variety of other woods to order. Please contact us for more details.

Luminaire

products * design



SUPER ENERGY EFFICIENT & ULTRA-BRIGHT 36 LED CLUSTER

WALNUT* FRAME & SHADE FROM SUSTAINABLY MANAGED SOURCE

www.luminair.co.uk

product : eco desk 36 specification sheet - SP.LED-001-01.

Luminair Ltd.

24a Temple Street, Brighton, East Sussex. BN1 3BH. - tel / fax : 01273 383435. email : info@luminair.co.uk. web : www.luminair.co.uk. - E&OE. Information is subject to change without notice. Copyright © 2000-2006 Luminair Ltd.