



LUMIN

Controller.

Unique LED lighting :

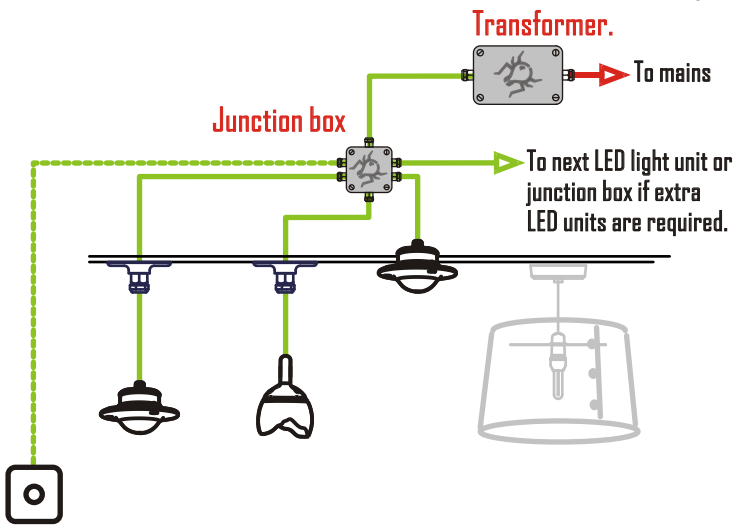
Master power and dimming control panel for Lumin-Link light units.

LUMIN CONTROLLER FEATURES :

- * Precision machined silver or black anodised control plate.
- * Flush wall mounting* or optional free standing base hardware available.
- * Control of Lumin-Link unit dimming and power functions.
- * Touch sensitive mode switching point.
- * Low power consumption.
- * Made in England following stringent environmental policies.

* panel compatible with standard single switch and socket back boxes.

LUMIN CONTROLLER CONNECTION GUIDE :



Control unit.

Optional. For power & dimming control. (switched mains can be used for just power control)

* Transformers available for installs from 1 to 10 units. Larger install transformers are also available on request.

Luminair

products * design



WALL MOUNTING PANEL OR OPTIONAL FREE STANDING WITH BASE POD



shown with optional base pod.

LUMIN CONTROLLER SPECIFICATIONS :

ELECTRICAL :

Power source : 12VDC.

Power consumption : 0.3W

Runtime : N/A

Control : On/Off & dimming control.

Switch rating : N/A

Cable : Resistant polyurethane. Length : 5m

MECHANICAL

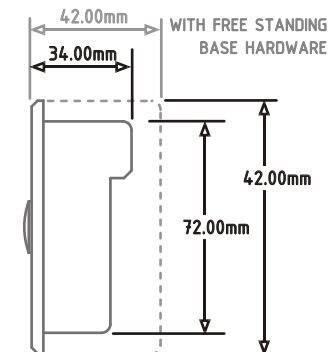
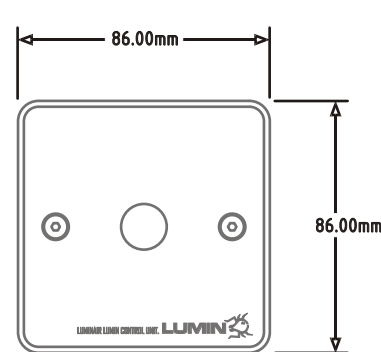
Material : 6063-T6 aluminium alloy.

Finish : Aluminum, silver or black anodised to AA25.

Weight : 0.35Kg.

Environment / IP Rating : Wet / IP64.

LUMIN CONTROLLER DIMENSIONS :



www.luminair.co.uk

product : lumin controller specification sheet - SP.LLC-001-01.

Luminair Ltd.

24a Temple Street, Brighton, East Sussex. BN1 3BH. - tel / fax : 01273 383435. email : info@luminair.co.uk. web : www.luminair.co.uk. - E&OE. Information is subject to change without notice. Copyright © 2000-2006 Luminair Ltd.