



# SPECTRA Controller.

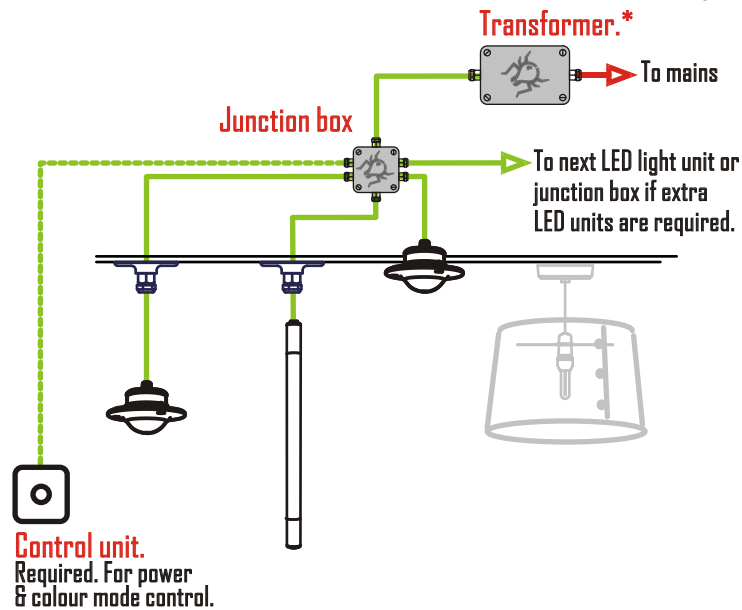
Unique colour changing lighting :  
Master colour mode controller for Spectra-Link light units.

## SPECTRA CONTROLLER FEATURES :

- \* Precision machined silver or black anodised control plate.
- \* Flush wall mounting\* or optional free standing base hardware available.
- \* Control of Spectra-Link unit colour change speed, static colour selection and white mode.
- \* Touch sensitive mode switching point with illuminated switch surround matches unit output.
- \* Low power consumption.
- \* Made in England following stringent environmental policies.

\* panel compatible with standard single switch and socket back boxes.

## SPECTRA CONTROLLER CONNECTION GUIDE :



**Control unit.**  
Required. For power & colour mode control.

\* Transformers available for installs from 1 to 10 units. Larger install transformers are also available on request.

# Luminaire products \* design



shown with optional base pod.



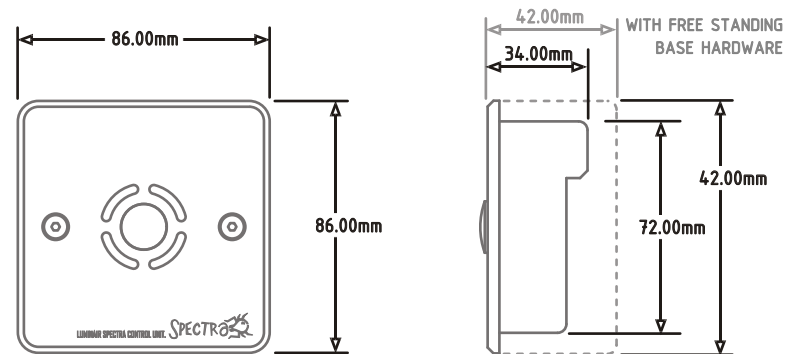
**WALL MOUNTING PANEL OR OPTIONAL FREE STANDING WITH BASE POD**

## SPECTRA CONTROLLER SPECIFICATIONS :

**ELECTRICAL :**  
 Power source : 12VDC.  
 Power consumption : 0.7W  
 Runtime : N/A  
 Control : Colour cycle speed, static colour selection, white mode and standby.  
 Switch rating : N/A.  
 Cable : Resistant polyurethane. Length : 5m

**MECHANICAL**  
 Material : 6063-T6 aluminium alloy.  
 Finish : Aluminum, silver or black anodised to AA25.  
 Weight : 0.35Kg.  
 Environment / IP Rating : Wet / IP64.

## SPECTRA CONTROLLER ACCESSORIES & DIMENSIONS :



[www.luminair.co.uk](http://www.luminair.co.uk)

product : spectra controller specification sheet - SP.LSC-001-01.

Luminair Ltd.

24a Temple Street, Brighton, East Sussex. BN1 3BH. - tel / fax : 01273 383435. email : info@luminair.co.uk. web : www.luminair.co.uk. - E&OE. Information is subject to change without notice. Copyright © 2000-2006 Luminair Ltd.